
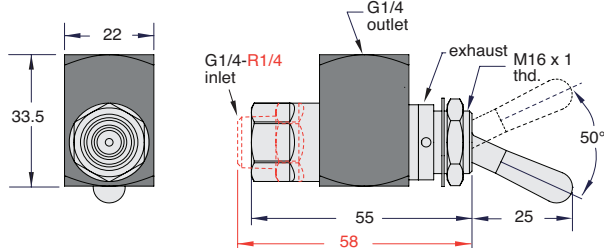


Directional Control Valves – **NEW!** M-GV 2/2 & 3/2 High Flow Poppet Valves

2/2 & 3/2 Toggle Valves, G1/4




(M-GTV-2Q shown)

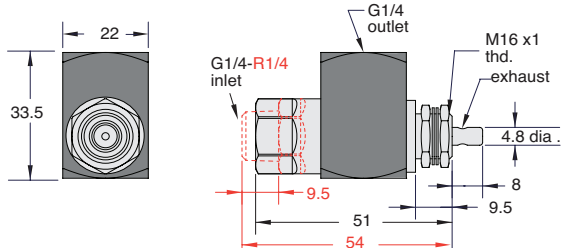


Inlet	Outlet	2/2	3/2
G1/4	G1/4	M-GTV-2	M-GTV-3
R1/4	G1/4	M-GTV-2Q	M-GTV-3Q

2/2 & 3/2 Stem Valves, G1/4



(M-GV-2 shown)



Inlet	Outlet	2/2	3/2
G1/4	G1/4	M-GV-2	M-GV-3
R1/4	G1/4	M-GV-2Q	M-GV-3Q



Clippard's New M-EGV Series valves are an electronically piloted versions of the M-GV cartridge valves, ideal for large flow, low leak applications. See EV-Metric catalogue page 75-78.